

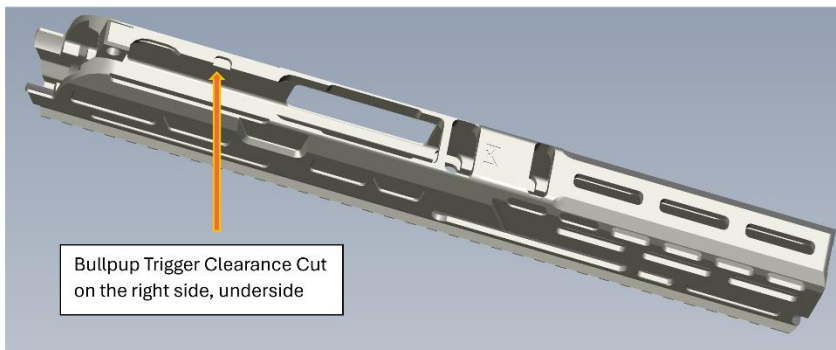


## Adding the Bullpup Trigger Clearance Cut to the MAT9 upper to create your own Espada.

This small cut will allow your MAT9 Upper to function properly with the Bullpup Lower receiver trigger system.

**Issue:** The bullpup lower receiver trigger system extends above the upper receiver just slightly, on the right-hand underside. If you don't have a clearance cut on **previous** MAT9 uppers (prior to the time which we began implementing the cut as standard), you'll need to perform this cut if you intend to use the Bullpup Lower Receiver.

You'll know if you have the clearance cut by simply looking at the underside, right-side of the MAT9 upper.



**How?:** Best if performed on a drill press with an End Mill that can create the clearance cut. Can use a Dremel, or other method but not as clean of course.

The cut will not impact strength or performance negatively. It's generally not seen when installed on the lower receiver.

**Dimensions:**

**Depth of cut is:** 0.85in

**Distance from Back side to center of slot:** 2.6in

**Total width of cut:** .415 L x .175 w

**Follow this procedure:**

1. Measure from the back to the beginning of the cut, place a mark.
2. Measure from the mark to the far side of the cut, (.340 inches, or 11/32nds)
3. Make the cut, try to keep to the desired depth.
  - a. If all else fails, you can cut all the way through, although not recommended.
4. Clean up any shavings, make sure interior is free from burs and aluminum.
5. You can use an anodize pen, or simply paint any color to cover (or not).
6. Attach upper, the trigger reset should work cleanly.

